

## SensolIRIS Programmer Device Programming Tool

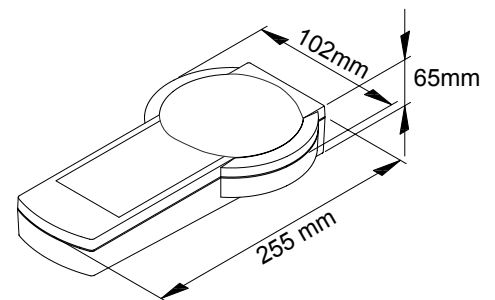
### Description

SensolIRIS Programmer is a programming tool for assigning addresses of SensolIRIS devices (detectors, modules, call points and sounders), supporting communication protocol TTE. The programmer is designed for reading and writing addresses, and setting of parameters to SensolIRIS series addressable detectors: T110, T110IS, S130, S130IS, M140 and M140IS.



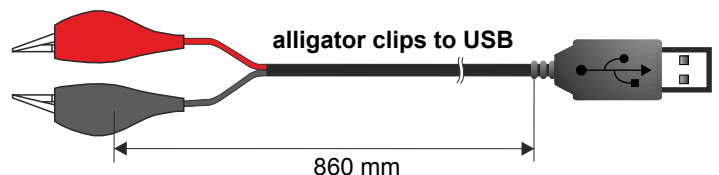
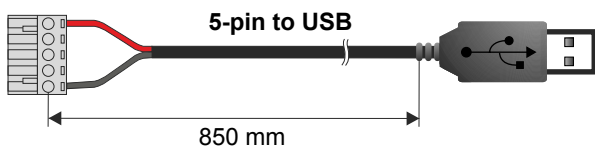
### Technical and Environmental Specifications

Main Power Supply . . . . . 4.2 8 VDC  
 Back-up Power Supply . . . . . Batteries 4 x 1.5V, size AA  
 Current consumption:  
     Stand-by (display backlight ON) . . . (28 ±2)mA @ 6VDC  
     Stand-by (display backlight OFF) . . . (22 ±2)mA @ 6VDC  
     Communication . . . . . (60 ±5)mA @ 6VDC  
 Range of address. . . . . 1 to 250  
 Supported Languages . . . . . English, Bulgarian, Russian, Turkish  
 Weight (without batteries). . . . . ~260g  
 Dimensions. . . . . 255 x 102 x 65mm  
 Nominal Operating Temperature . . . . . -5°C 40°C  
 Storage Temperature . . . . . -20°C +70°C  
 Related Humidity . . . . . ~93% @ +40°C  
 Material (plastic), color. . . . . ABS, white



### Packing Information

• **Single packing** - 1 unit SensolIRIS Programmer, packed in ESD protective plastic bag.  
 In the supplied equipment are included also two special cables for programming of modules and accessories:  
     **5-pin terminal to USB cable** for programming SensolIRIS modules MC-Z, MIO, MOUT and call point MCP150;  
     **2 alligator clips to USB cable** for programming SensolIRIS modules MC-D and MINP;  
     **Standard base SensolIRIS B124** (mounted to the programmers front cover) for programming of SensolIRIS addressable detectors T110, T110 IS, S130, S130 IS, M140 and M140 IS;  
     **AC/DC Adaptor** - 230V AC, 50Hz/ 1.5-12V DC, 500mA, 6VA (max).



### Compatible Product Range

- **T110, T110 IS, S130, S130 IS, M140, M140 IS** - SensolIRIS addressable detectors
- **MCP150, MIO, MC-Z, MOUT, MC-D, MINP** - SensolIRIS addressable modules

### Contact Information: