

SensoIRIS B124 Standard Base

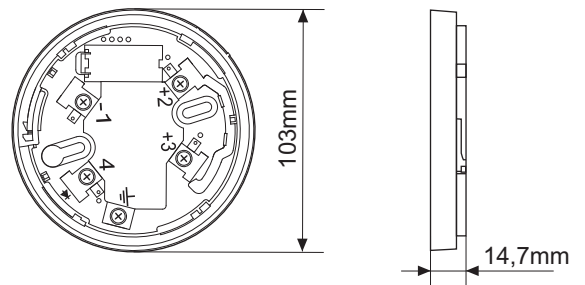
Description

SensoIRIS B124 is a standard base for addressable detectors T110, T110 IS, S130, S130 IS, M140 and M140 IS. The base is with low profile design and reliable contact system. It is possible to lock the detector to the base for extra security.

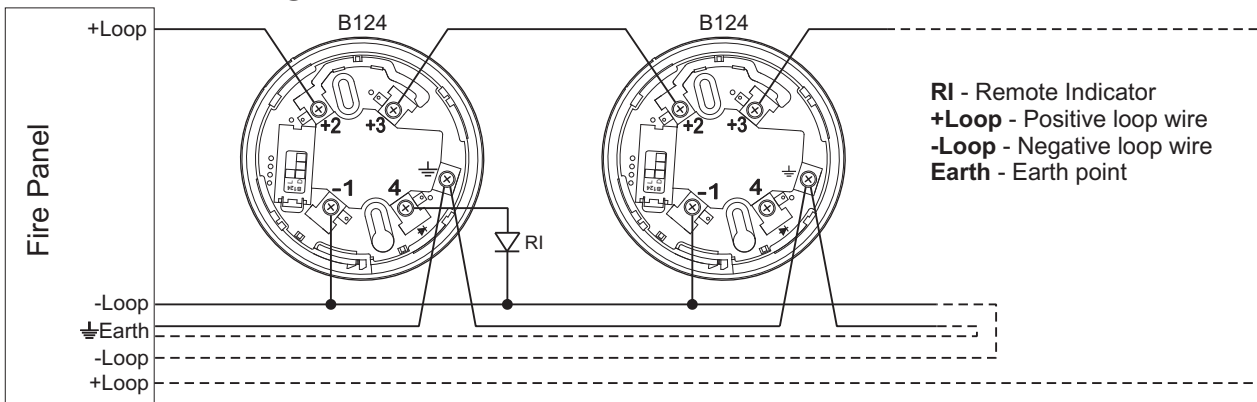


Technical and Environmental Specifications

Wire Gauge for terminals 3.0mm²
 Operating temperature -10°C to +60°C
 Relative humidity resistance (93 ± 3)% @ 40°C
 Weight ~15g
 Dimensions 103x14.7mm
 Material (plastic), color ABS, white

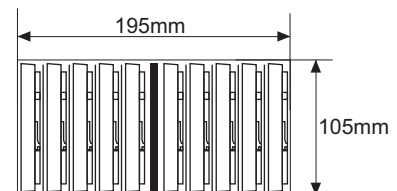


Connection Diagram



Packing Information

• **Master box** - 10 units SensoIRIS B124, dimensions 195 x 105 x 105 mm. Additional separators are included in the master box for higher security during transportation.



Compatible Product Range

• **T110, T110 IS, S130, S130 IS, M140, M140 IS** - SensoIRIS addressable detectors

Contact Information: