

SensoIRIS MOUT-240 Relay Output Module 240VAC

EN54-18/17

Description

SensoIRIS MOUT-240 is an relay output control module designed for application in addressable fire alarm systems, supporting TTE communication protocol. The module provides interface for 240V and it is suitable for control of 240VAC voltage circuits. The module is designed with a built-in module isolator and is certified according the requirements of EN 54-17.

SensoIRIS MOUT-240 is powered on from the fire panel and can be controlled via the communication protocol.

The module is mounted in a separate small plastic box suitable for wall mounting, with transparent cover for visual inspection.

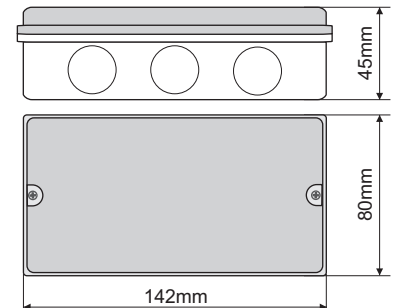
SensoIRIS MOUT-240 is certified according the requirements of EN 54-18.



CE 20
1293
DoP No: 093

Technical and Environmental Specifications

Operating voltage	16 ÷ 32 VDC
Nominal consumption during communication	220µA
Current consumption in STAND-BY mode	175µA@27VDC
Current consumption with LED ON	4mA
Relay ratings	4A/ 250VAC; 3A/ 30VDC
Max. cross-section of the cable	2.5mm ²
Operating temperature	-10°C to +60°C
Relative humidity resistance	(93 ± 3)% @ 40°C
Protection	IP21
Weight	~230g
Material (plastic)	ABS
Color	White



Packing Information

- **Single packing** - 1 unit SensoIRIS MOUT-240, packed in ESD protected envelope.
- **Carton packing box** - 48 units SensoIRIS MOUT-240, dimensions 510 x 320 x 200 mm.

Compatible Product Range

- **IRIS/IRIS PRO** - Addressable Fire Panel, plastic/metal box, 4 loops, 96 zones
- **IRIS8** - Addressable Fire Panel, metal box, 8 loops, 200 zones
- **SIMPO** - Addressable Fire Panel, metal box 2 loops, 48 zones
- **SensoIRIS Programmer** - Address Programming Tool

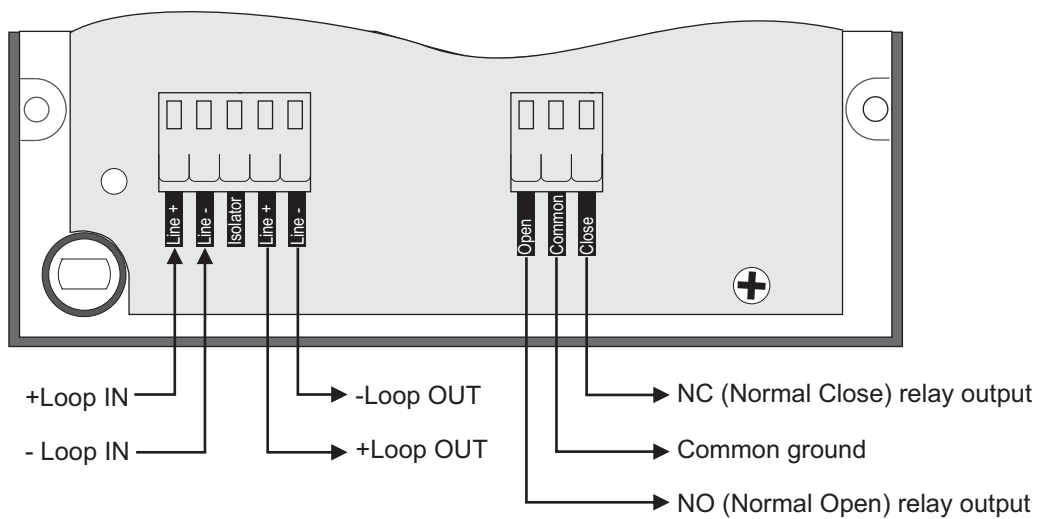
Contact Information

SensoIRIS MOUT-240 Relay Output Module 240VAC

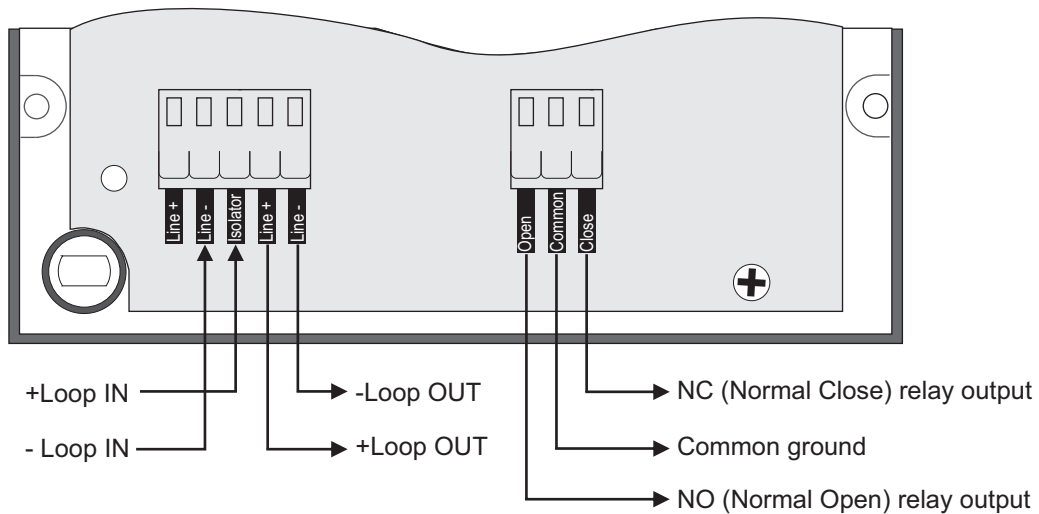
EN54-18/17

● Connection Diagrams

Without using the built-in isolator module



Using the built-in isolator module



● Contact Information