

FIGURE 1

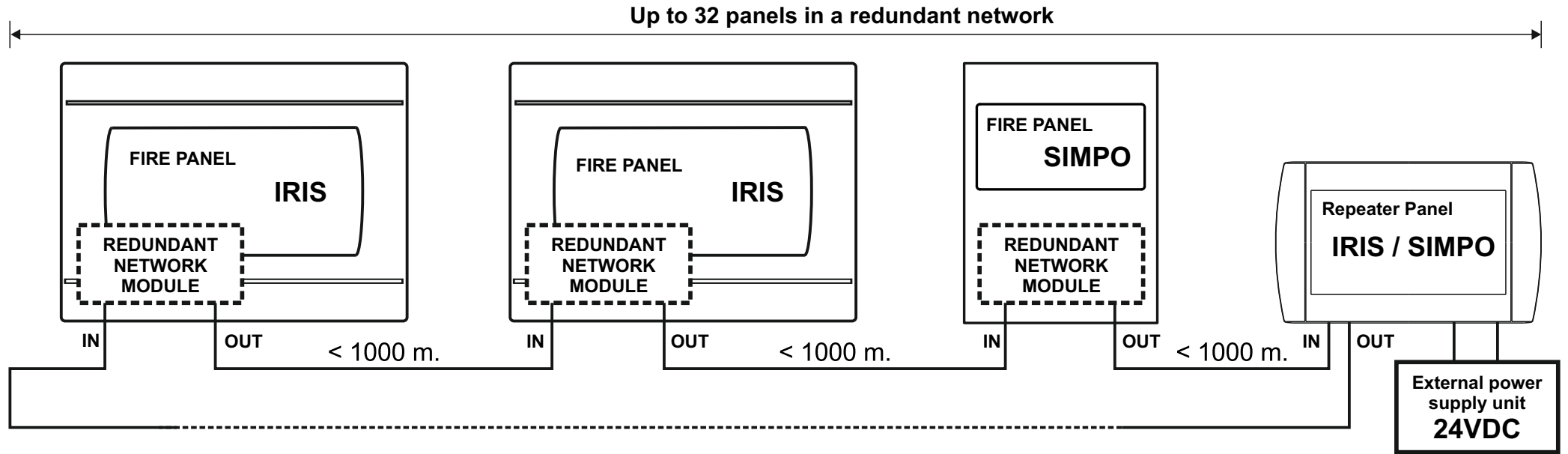
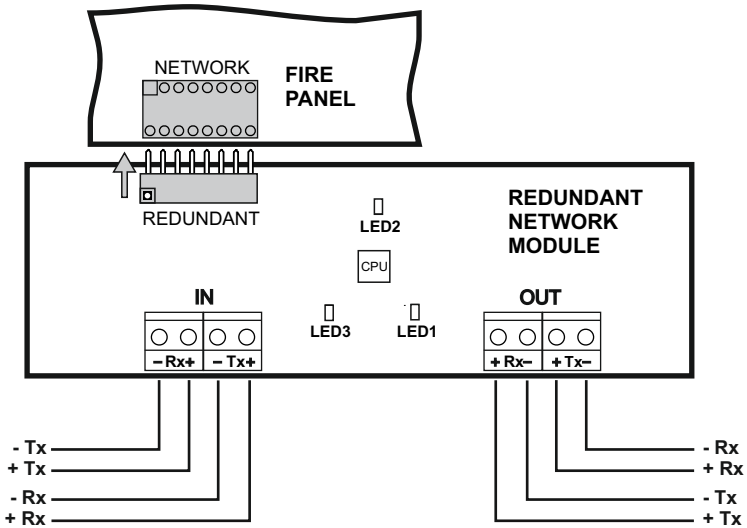


FIGURE 2



Connection between Redundant module and Fire Panel

FIGURE 3

